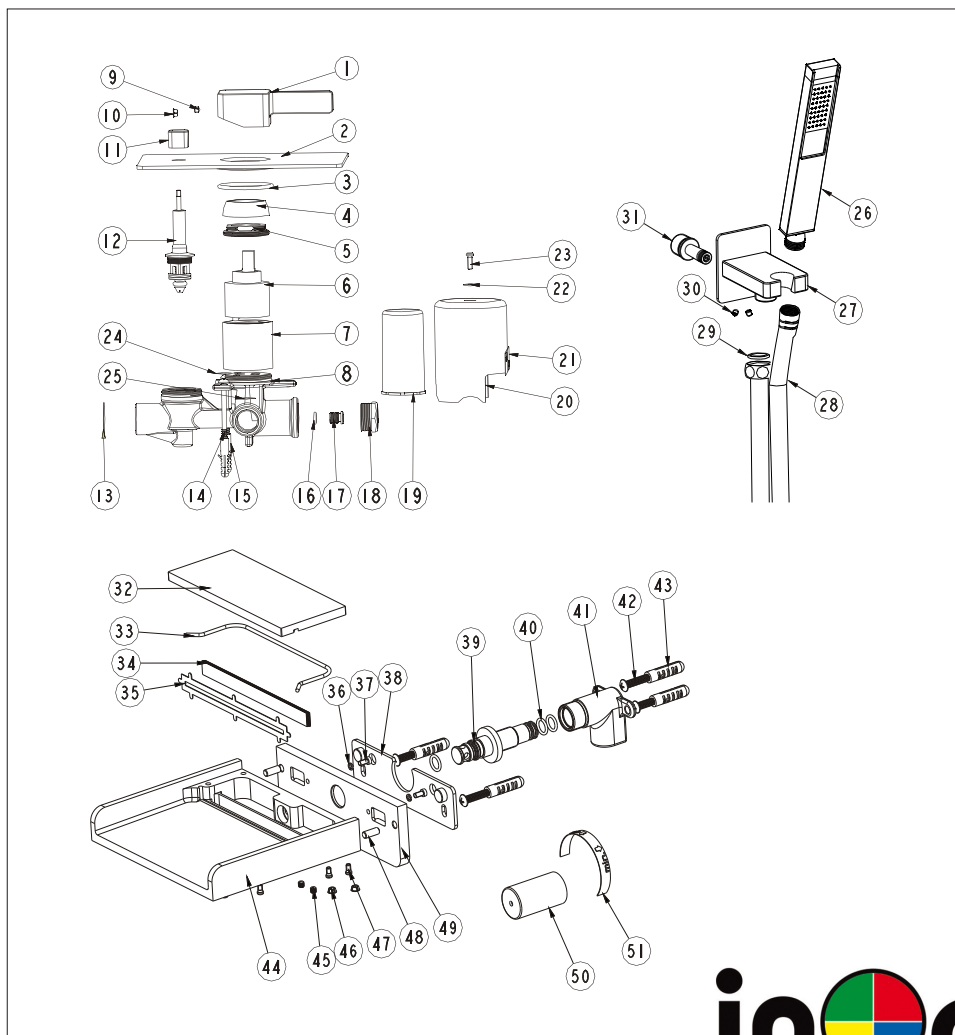


Bath/shower combination

Installation Instruction

Please read this instruction carefully to avoid any difficulty during installation.



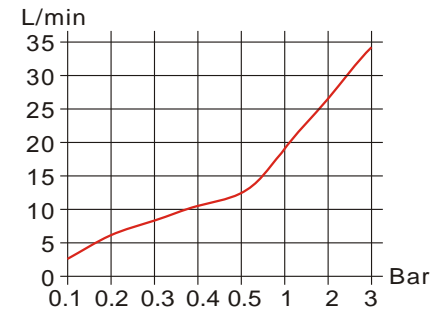
Components List

No.	Component	Quantity
1	Handle	1
2	Plate	1
3	Sealing strip	1
4	Cap	1
5	Cartridge fastener	1
6	Ceramic cartridge	1
7	Cover	1
8	Main body	1
9	Female allen screw	1
10	Index	1
11	Knob	1
12	Diverting valve	1
13	Index	1
14	Cross-head screw	2
15	Plastic sleeve	2
16	O-ring	1
17	Stopper	1
18	Union	1
19	Safe cover for diverter	1
20	Safe cover for body	1
21	Index	1
22	Flat washer	1
23	Cross-head screw	1
24	Blue index	1
25	Red index	1
26	Handle shower	1
27	Shower seat	1
28	Hose	1
29	Washer	1
30	Female allen screw	2

Components List

No.	Component	Quantity
31	Connection pipe	1
32	Cover	1
33	Sealing strip	1
34	Net	8
35	Plate	1
36	Spring shim	2
37	Cross-head screw	2
38	Seat	1
39	Union	1
40	O-ring	3
41	Seat	1
42	Cross-head screw	4
43	Plastic sleeve	4
44	Spout	1
45	Female allen screw	2
46	Index	4
47	Cross-head screw	4
48	Setting pin	2
49	Plate	1
50	Safe cover	1
51	Index	1

Flow rate Curves



Test pressure: 1.6MPa (16bar)

Flow pressure:

Min 0.05MPa

Max 1.60MPa

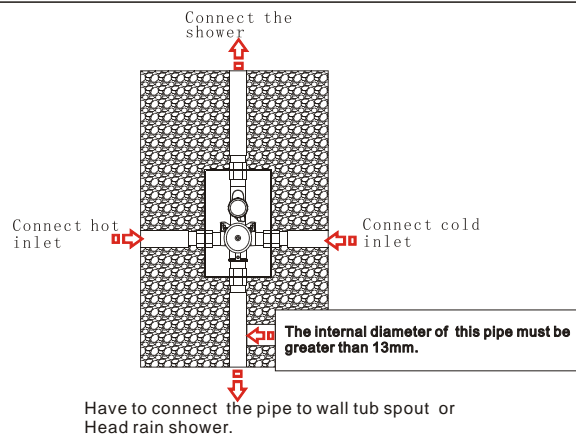
Recommended pressure:

0.1MPa to 0.8MPa (1 to 8 bar)

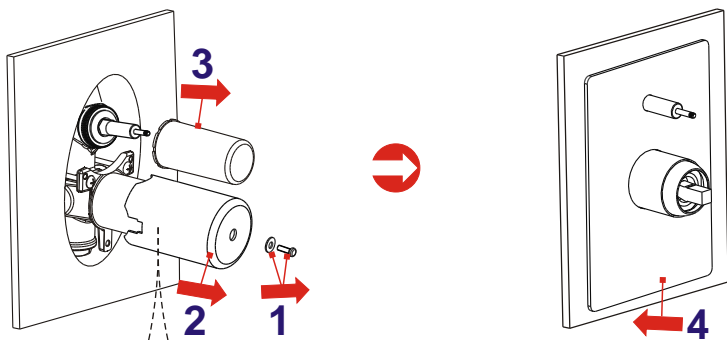
Note

1. Ensure proper cleaning of the water supply pipe before installation to avoid any jammed.
2. The cold-water supply must be connected on the right and the hot-water supply must be connected to the left.
3. Check the installation dimensions according to the Figure and ensure it is installed correctly.
4. Hot-water inlet temperature must not be over 80°C.

Installation Step

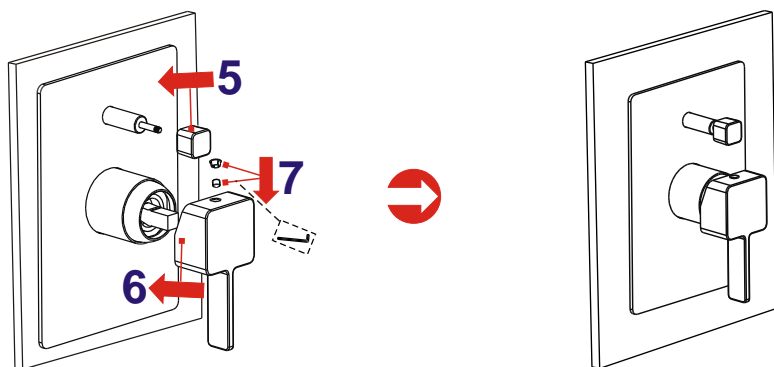


1



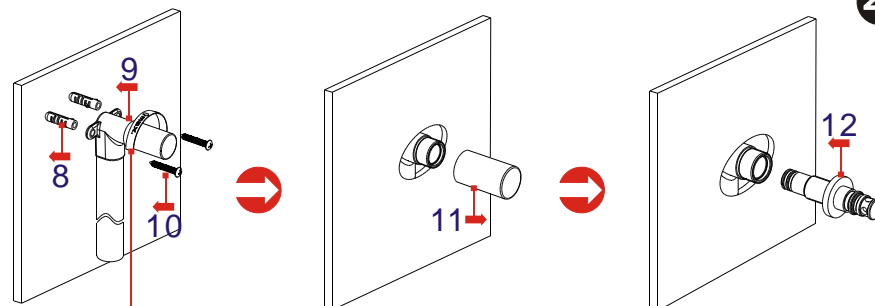
Before installing the main body, read the index on cover, install the decorating tiles and glue the plate (4).

2



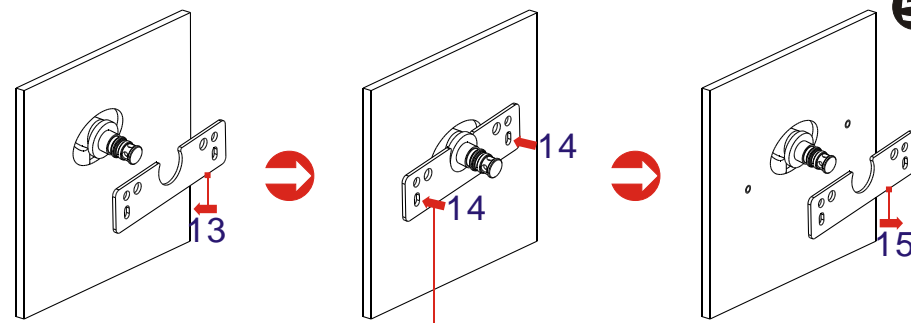
3

Installation Step



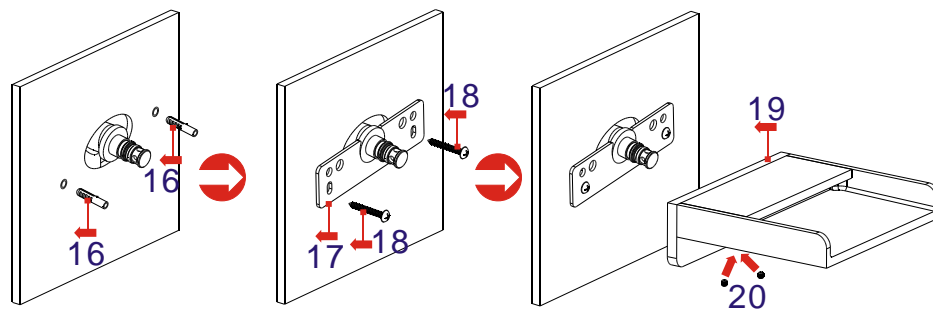
Pay attention to the index on the safe cover, in order to install (17),(19).

4



Put the installing seat on the wall and draw two screw holes.

5



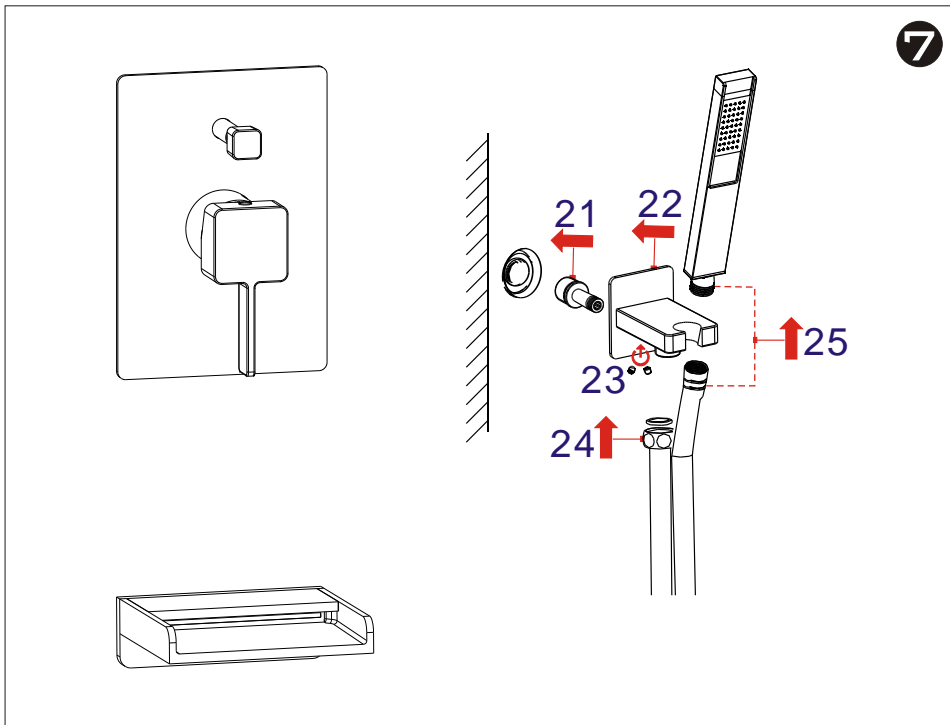
6

Installation Step

❄️❄️ Read the Installation Fig and confirm the installing position.

❄️❄️❄️ Test:

Open the supply pipes, close the ceramic cartridge and check the connections for leakage; open the ceramic cartridge and check the smooth water flow. Decorate the wall after checking and remove the safe cover. Install the escutcheon and handle.



Installation Fig

